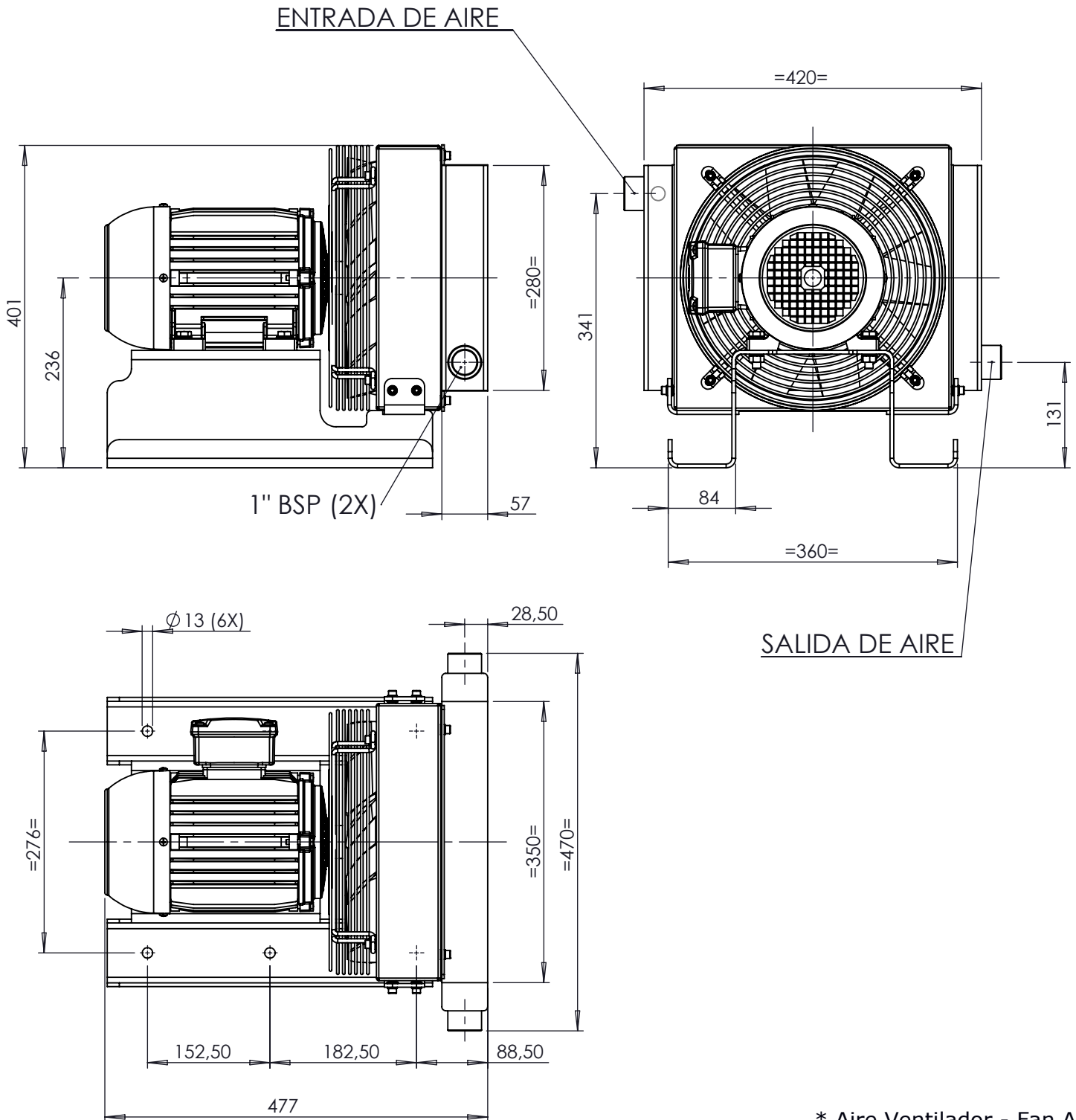




Postenfriador de Aire Air-Cooler

MBP-A300

(Motor C. A. / A. C. Motor)



* Aire Ventilador - Fan Air

380
Volt

TEST
20
bar

STATIC
15
bar

DYNAMIC
12
bar

Datos Técnicos / Technical Information

| Modelo Model | Caudal aire Air flow (L/min) | Peso Weight (kg) | Voltaje Voltage (V) | Tensión Current (A) | Potencia Power (Kw) | Caudal aire Air flow * (m ³ /min) | Ø Ventilador Fan Ø (mm) |
|-----------------|------------------------------------|------------------------|---------------------------|---------------------------|---------------------------|---|----------------------------------|
| 13079-02 | 1.000-3.000 | 29 | 380 | 3.70 | 1.5 | 38.7 | 300 |