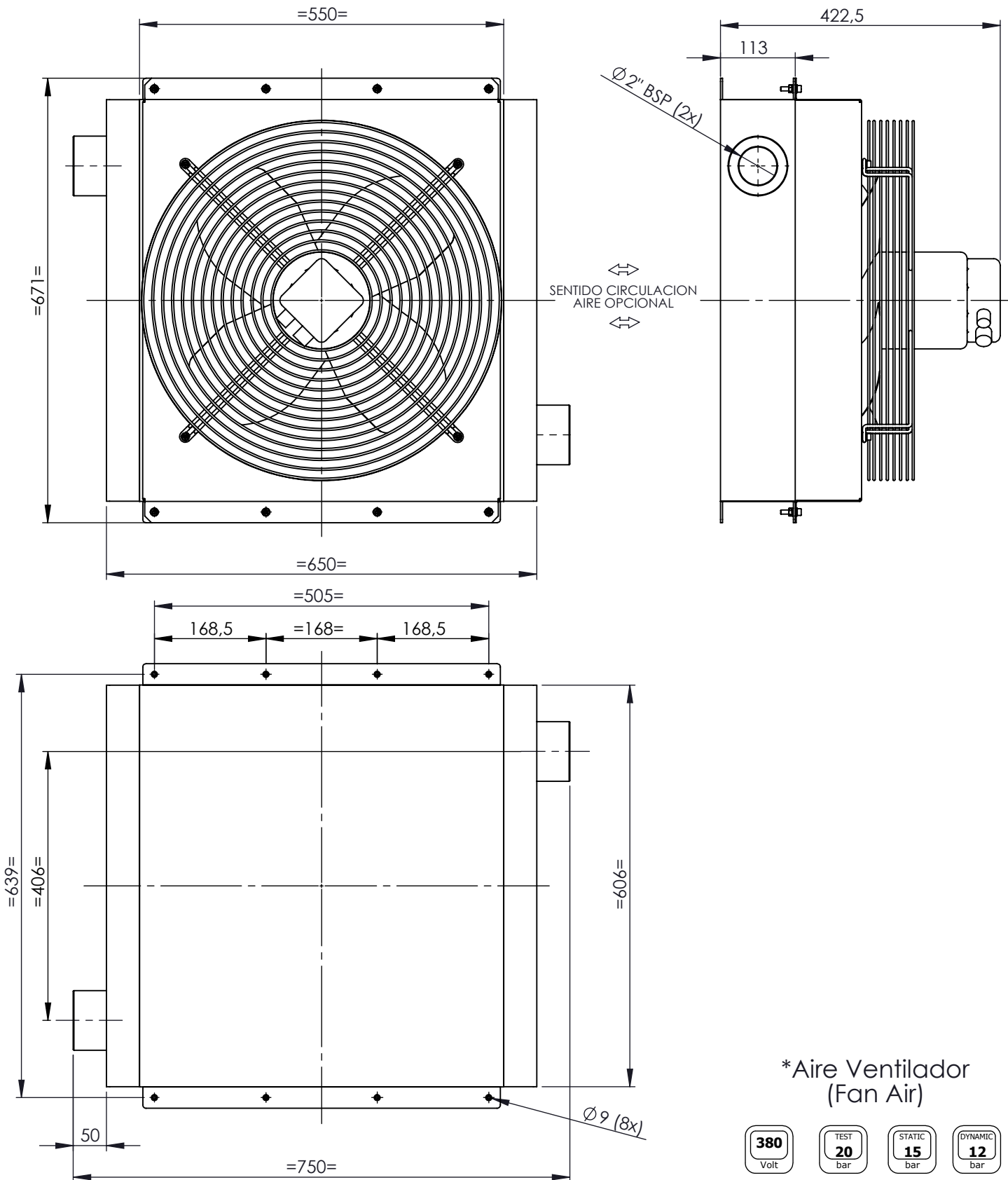




# Postenfriador de aire Air-Cooler

MBP-A500-2

(Motor C. A. / A. C. Motor)



## Datos Técnicos / Technical Information

| Modelo<br>Model | Caudal<br>Oil flow<br>(L/min) | Peso<br>Weight<br>(kg) | Voltaje<br>Voltage<br>(V) | Corriente<br>Current<br>(A) | Potencia<br>Power<br>(KW) | Caudal aire<br>Air flow<br>*<br>(m <sup>3</sup> /min) | Ø Ventilador<br>Fan Ø<br>(mm) |
|-----------------|-------------------------------|------------------------|---------------------------|-----------------------------|---------------------------|---|-------------------------------|
| 13082           | 10.000-15.000                 | 55                     | 380                       | 1.10                        | 0.25                      | 50  | 500                           |